

4

3

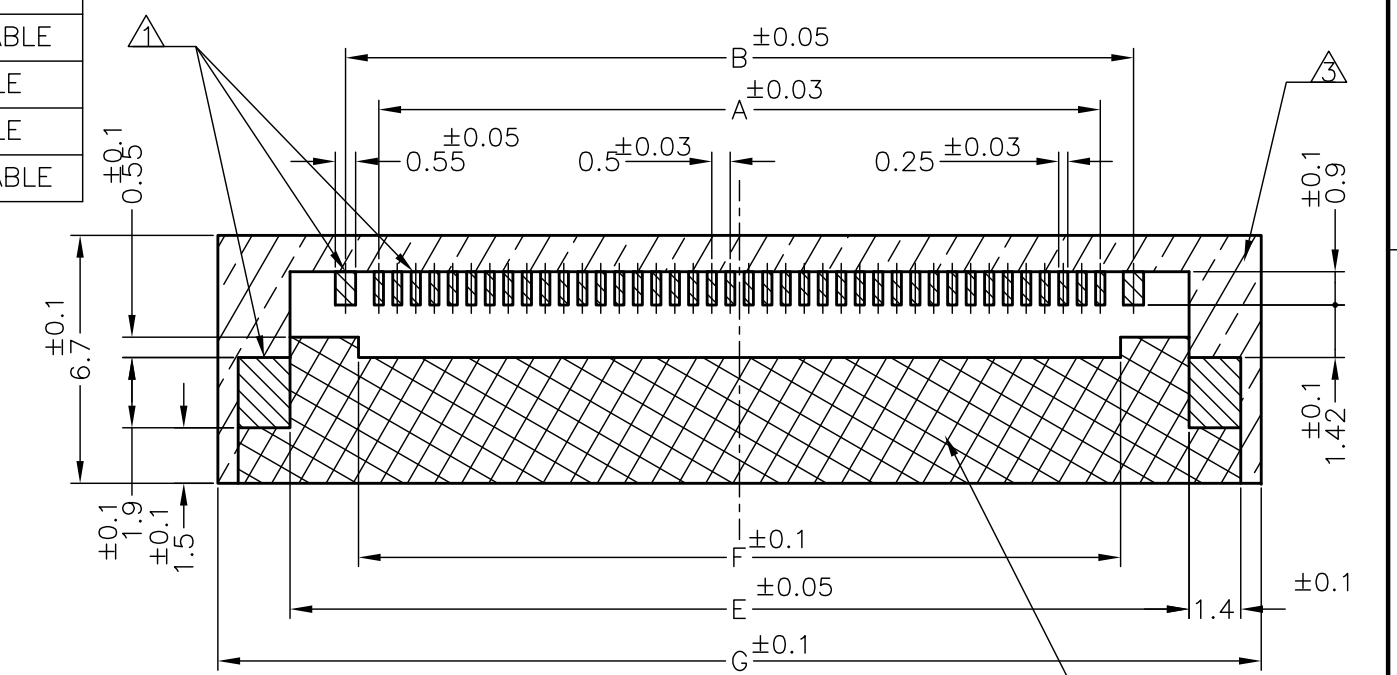
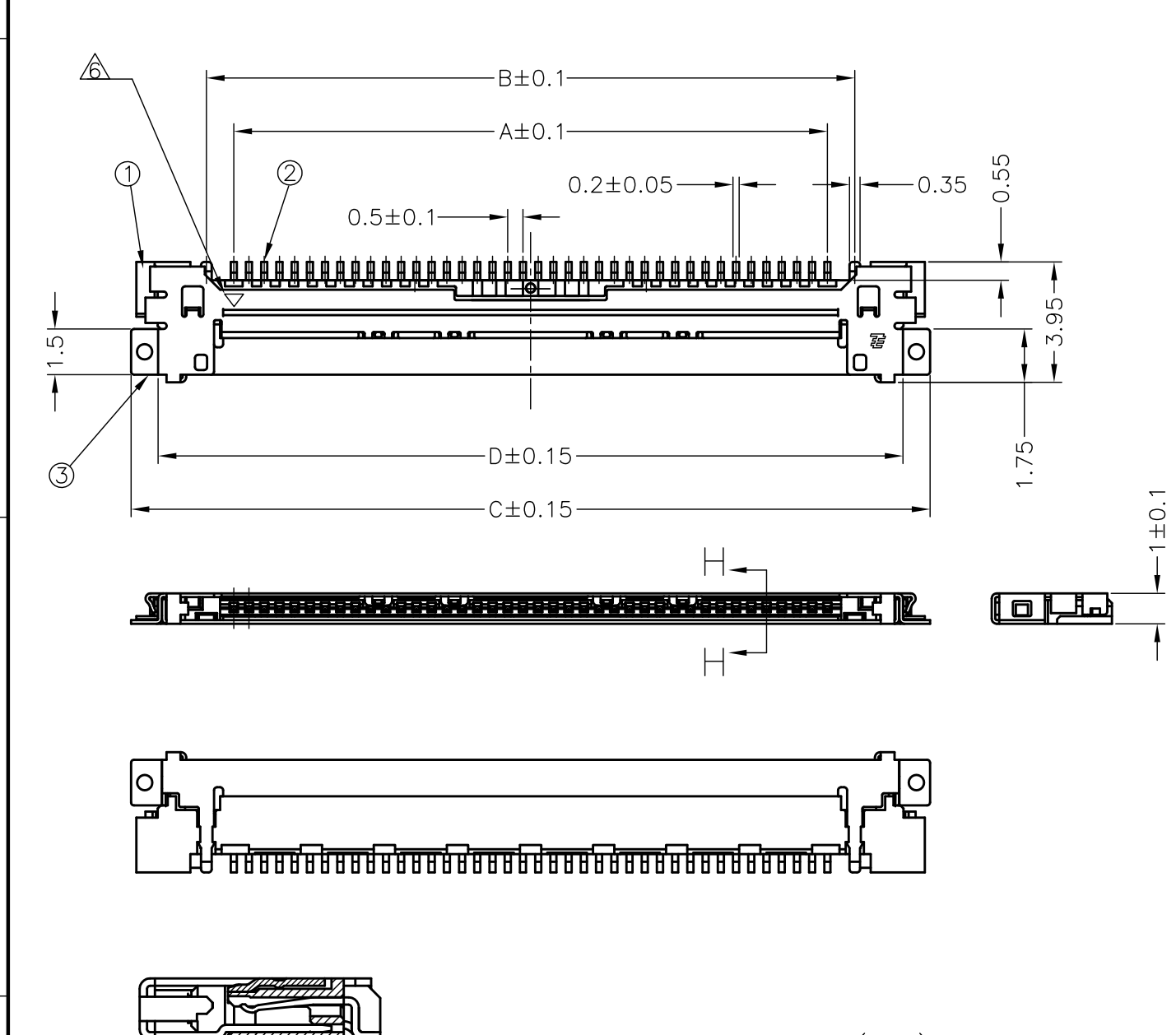
2

1

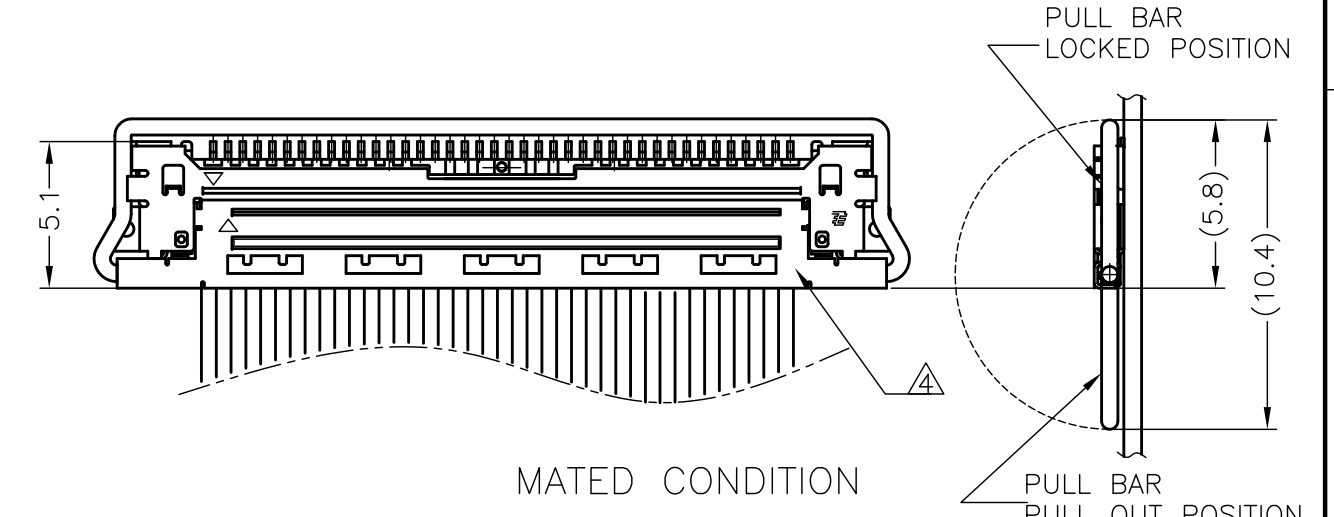
THIS DRAWING IS UNPUBLISHED.				RELEASED FOR PUBLICATION						
© COPYRIGHT - By -				ALL RIGHTS RESERVED.						
PART NO.	POS NO.	A	B	C	D	E	F	G	DATUM MARK	TOOLING STATUS
2069716-3	40	19.5	21.3	26.25	24.47	24.3	20.6	28.2	WITHOUT DATUM MARK	AVAILABLE
2069716-2	30	14.5	16.3	21.25	19.47	19.3	15.6	23.2		NOT AVAILABLE
2069716-1	20	9.5	11.3	16.25	14.47	14.3	10.6	18.2		NOT AVAILABLE
5-2069716-3	40	19.5	21.3	26.25	24.47	24.3	20.6	28.2	WITH DATUM MARK	AVAILABLE
5-2069716-2	30	14.5	16.3	21.25	19.47	19.3	15.6	23.2		AVAILABLE
5-2069716-1	20	9.5	11.3	16.25	14.47	14.3	10.6	18.2		NOT AVAILABLE

LOC	DIST	REVISIONS					
DW		P	LTR	DESCRIPTION	DATE	DWN	APVD
		A1		REVISED (ECR-14-013068)	4SEP2014	S.H	V.P

5-2069716-3 AS SHOWN

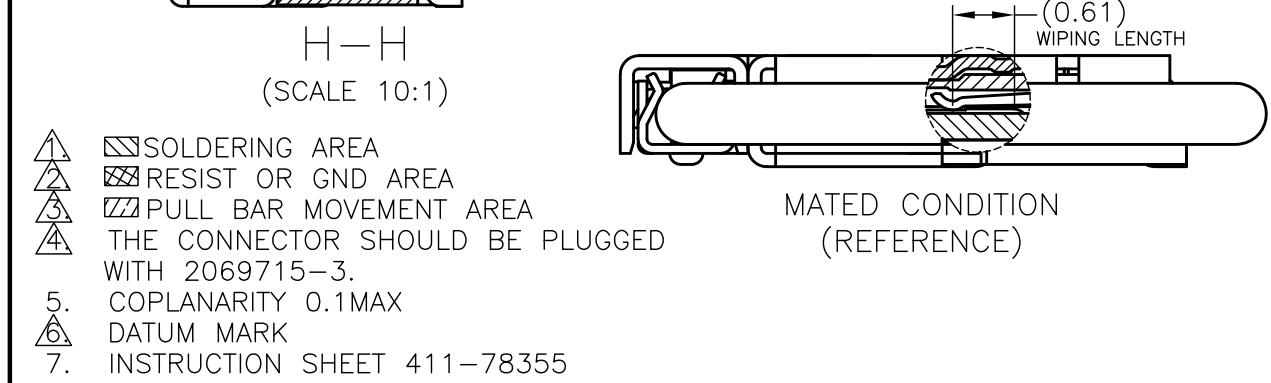


REFERENCE PWB LAYOUT



MATED CONDITION

③	SHELL	COPPER ALLOY, Au OVER Ni
②	CONTACT	COPPER ALLOY, Au OVER Ni
①	HOUSING	HIGH TEMP. THERMOPLASTIC, UL94V-0, BLACK
ITEM	PART NAME	MATERIAL & FINISH



MATED CONDITION (REFERENCE)

- SOLDERING AREA
- RESIST OR GND AREA
- PULL BAR MOVEMENT AREA
- THE CONNECTOR SHOULD BE PLUGGED WITH 2069715-3.
- 5. COPLANARITY 0.1MAX
- DATUM MARK
- 7. INSTRUCTION SHEET 411-78355

THIS DRAWING IS A CONTROLLED DOCUMENT.		DWN	Y.SHINO	18SEP2009
		CHK	S.KAJINUMA	18SEP2009
		APVD	S.KAJINUMA	18SEP2009
		PRODUCT SPEC	108-78659	
		APPLICATION SPEC		
		WEIGHT		
		CUSTOMER DRAWING		
DIMENSIONS: mm		TOLERANCES UNLESS OTHERWISE SPECIFIED:		
		0 RLC	± -	
		1 PLC	± - ±0.2	
		2 PLC	± - ±0.2	
		3 PLC	± - ±2°	
		4 PLC	± - ±2°	
		ANGLES	± -	
MATERIAL		FINISH		

		TE Connectivity	
NAME			
LCD COAXIAL EMBEDDED DISPLAY INTERFACE (LCEDI) 0.5mm PITCH CONNECTOR RECEPTACLE ASSEMBLY			
SIZE	CAGE CODE	DRAWING NO	RESTRICTED TO
A3	00779	2069716	
SCALE		SHEET	REV
5:1		1 OF 2	A1

4

3

2

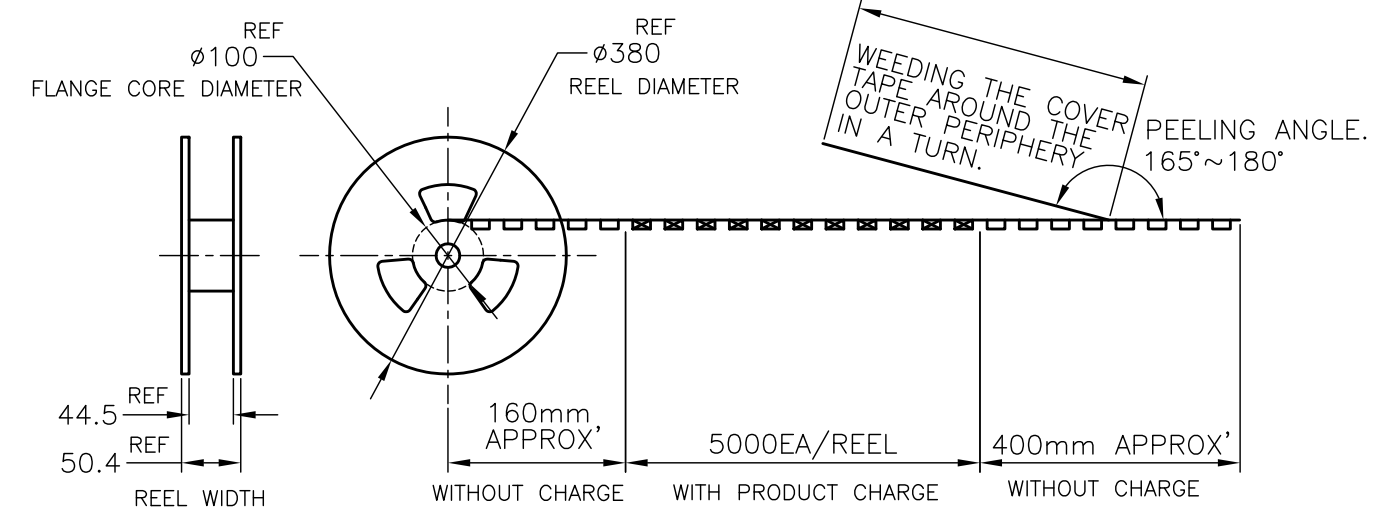
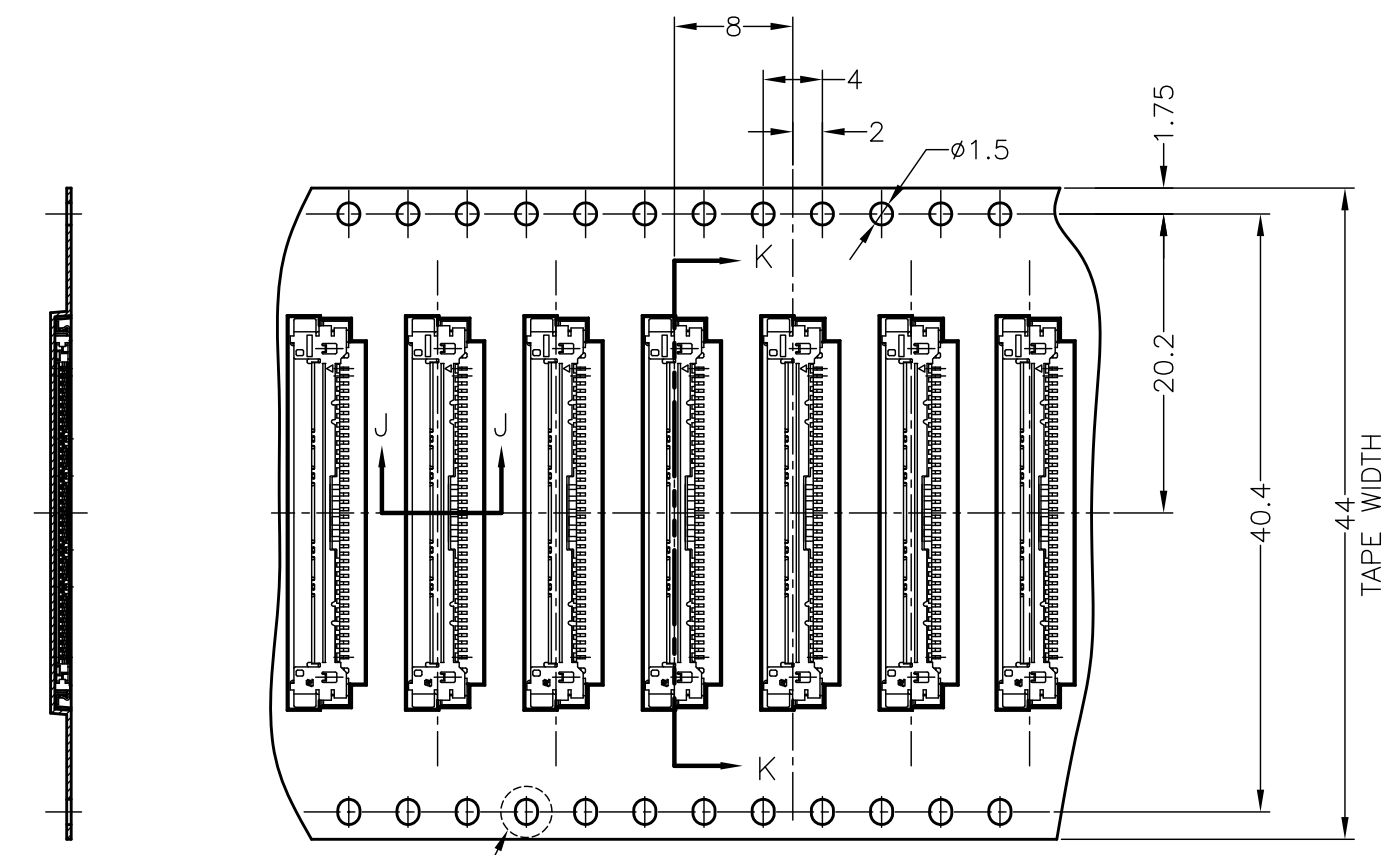
1

THIS DRAWING IS UNPUBLISHED. RELEASED FOR PUBLICATION
 © COPYRIGHT - By - ALL RIGHTS RESERVED.

LOC	DIST	REVISIONS			
P	LTR	DESCRIPTION	DATE	DWN	APVD
-	-	SEE SHEET 1	-	-	-

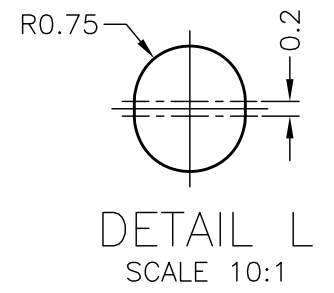
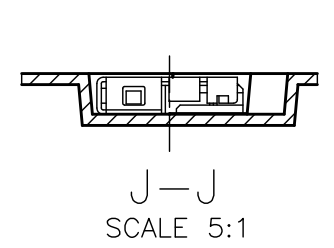
EMBOSS PACKING CONDITION

DIRECTION OF TOP OF REEL



K-K

DETAIL L



THIS DRAWING IS A CONTROLLED DOCUMENT.		DWN	TE Connectivity NAME LCD COAXIAL EMBEDDED DISPLAY INTERFACE (LCEDI) 0.5mm PITCH CONNECTOR RECEPTACLE ASSEMBLY			
DIMENSIONS: mm		CHK				
TOLERANCES UNLESS OTHERWISE SPECIFIED: 0 PLC ± 0.3 1 PLC ± 0.3 2 PLC ± 0.3 3 PLC ± 0.3 4 PLC ± - ANGLES ± 3°		APVD				
MATERIAL		PRODUCT SPEC				
FINISH		APPLICATION SPEC	SIZE	CAGE CODE	DRAWING NO	RESTRICTED TO
		WEIGHT	A3	00779	2069716	-
		CUSTOMER DRAWING	SCALE	SHEET	REV	
			2:1	2 OF 2	A1	